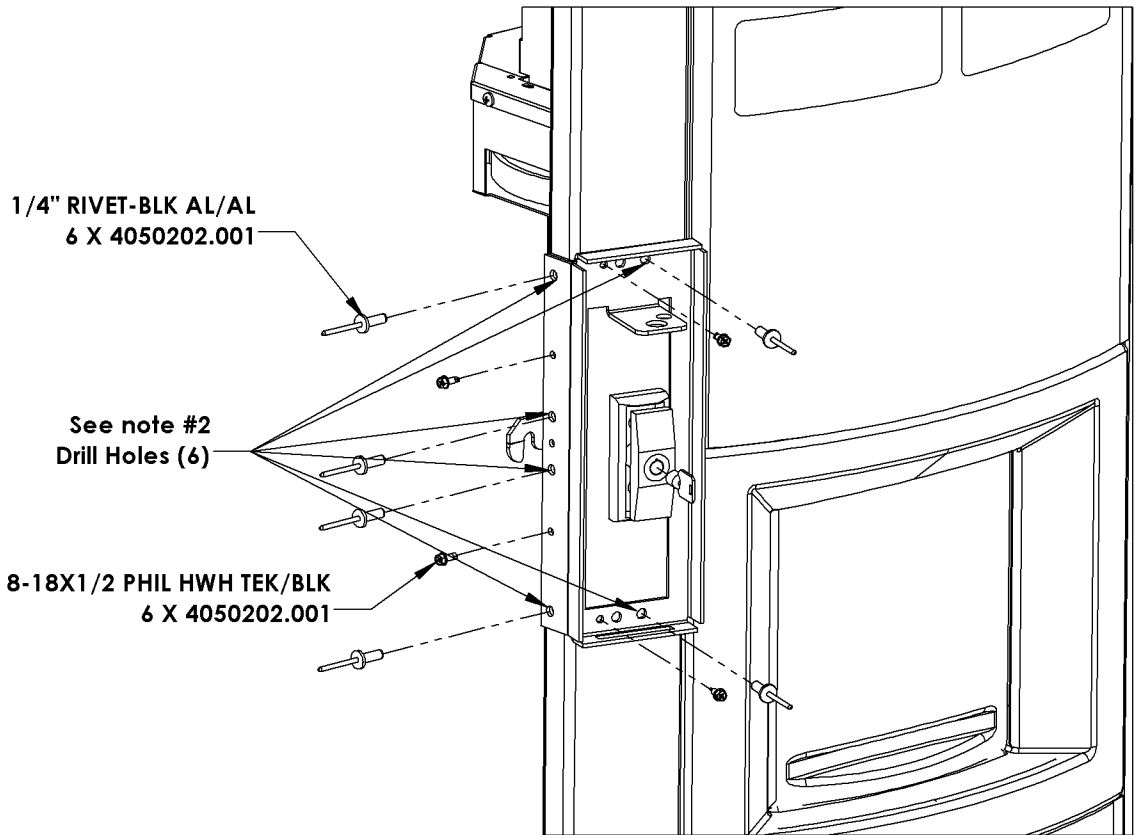


HANDLE COVER INSTALLATION INSTRUCTIONS - GENEVA COFFEE



Tools Required:

- Cordless drill
- Drill bit - size 9/32" (.281)
- 1/4" drive for Hex head self-drilling screws
- Rivet gun for 1/4" Rivets

Installation instructions:

1. Install Handle Cover Weld on angled face of the door as shown in illustration. Locate handle approximately 5" from the top of cup dispenser housing. Use self-drilling screws (4 X 4050202.001) to secure handle cover on the door.
2. Use 9/32" drill to drill holes through the holes in the Handle Cover Weld, 4 holes on the side and 2 holes in the front as shown in above illustration.
3. Secure handle cover on door using 6 X 1/4" rivet through these holes.